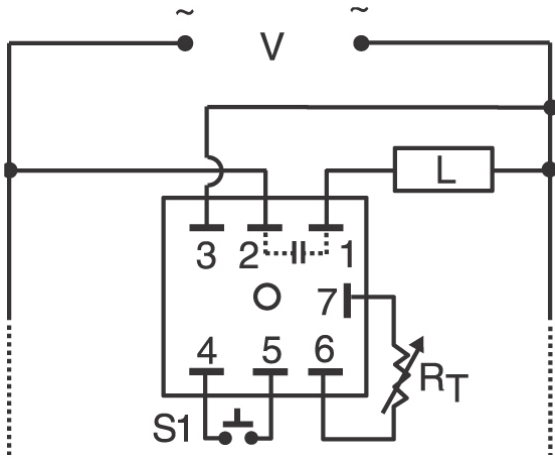


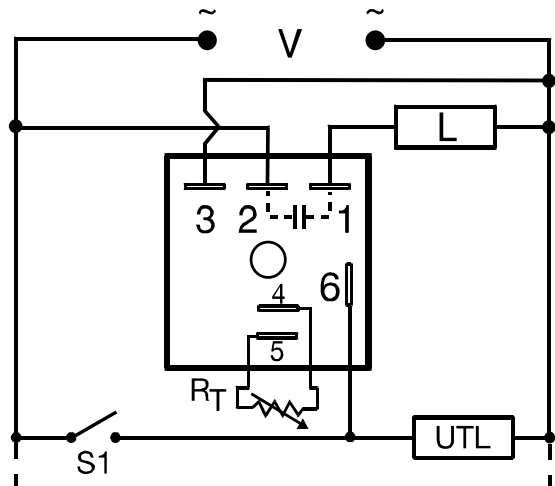


**SSAC Product Line Conversion Notification March 11, 2005**  
TSS Series Part Numbers

Important Differences Between Product Designs		
Specifications	Pre 2005 Design	2005 Generation II Design
<b>Time Delay</b>		
Tolerance (Factory Calibration)	$\leq \pm 10\%$	$\leq \pm 5\%$
Operational	Terminals 4 & 5 initiate, terminals 6 & 7 for external adjust RT.	Terminal connections are different. Terminals 4 & 5 for RT. Terminal 6 takes line voltage for initiate. Doubler terminal accessory is available to replace terminal T7. Initiate switch S1 can be connected to an optional untimed load.
RT Values (for external adjustment)	0-3 M $\Omega$ (ranges 1, 2 & 3). 0-5 M $\Omega$ (range 4).	0-100 K $\Omega$ . (see notes)
<b>Mechanical</b>		
RT Terminals	Onboard adjust requires VTP Plug-on Module	Terminals are oriented differently. Onboard adjust is now available. (see notes)



Pre 2005 Design



2005 Generation II Design

**Legend**

- V = Input Voltage
- L = Timed delayed load
- S1 = Initiate switch
- UTL = Optional Untimed Load
- RT = External Adjustment Potentiometer
- Dashed lines are internal connections

- Note: 1.) VTR plug-on adjustment modules cannot be used with the 2005 Generation Design. An onboard adjustment option is available for the Generation II design.
- 2.) The RT Value cannot exceed 100 k ohms. If the RT exceeds 200k ohms erratic timing may occur. This is normal and not an indication of a defective unit.