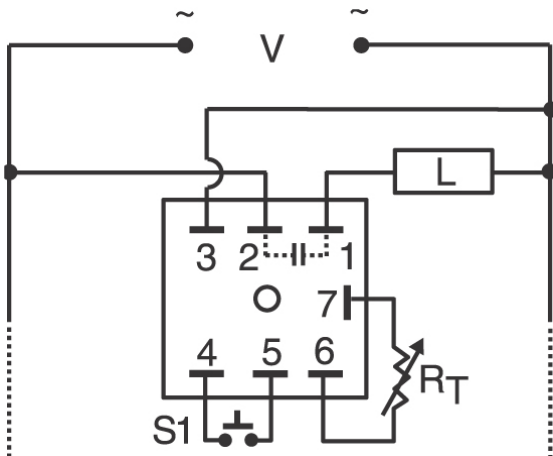




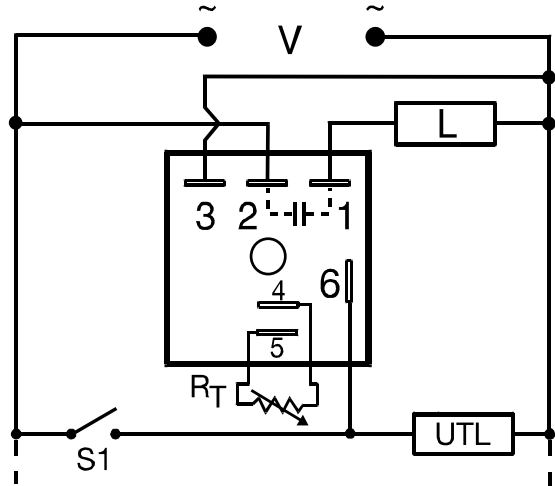
SSAC Product Line Conversion Notification February 18, 2005
TSB Series Part Numbers

Important Differences Between Product Designs

Specifications	Pre 2005 Design	2005 Generation II Design
Time Delay		
Tolerance (Factory Calibration)	$\leq \pm 10\%$	$\leq \pm 5\%$
Operational	Terminals 4 & 5 initiate, terminals 6 & 7 for external adjust RT. Continues to time with complete loss of power.	Terminal connections are different. Terminals 4 & 5 for RT. Terminal 6 takes line voltage for initiate. Doubler terminal accessory is available to replace terminal T7. Initiate switch S1 can be connected to an optional untimed load. Time delay is reset upon loss of power.
RT Values (for external adjustment)	0-3 M Ω (ranges 1, 2 & 3). 0-5 M Ω (range 4).	0-100 K Ω . (see notes)
Mechanical		
RT Terminals	Onboard adjust requires VTP Plug-on Module	Terminals are oriented differently. Onboard adjust is now available. (see notes)



Pre 2005 Design



2005 Generation II Design

Legend

- V = Input Voltage
- L = Timed delayed load
- S1 = Initiate switch
- UTL = Optional Untimed Load
- RT = External Adjustment Potentiometer(s)
- Dashed lines are internal connections

- Note: 1.) VTR plug-on adjustment modules cannot be used with the 2005 Generation Design. An onboard adjustment option is available for the Generation II design.
- 2.) The RT Value cannot exceed 100 k ohms. If the RT exceeds 200k ohms erratic timing may occur. This is normal and not an indication of a defective unit.