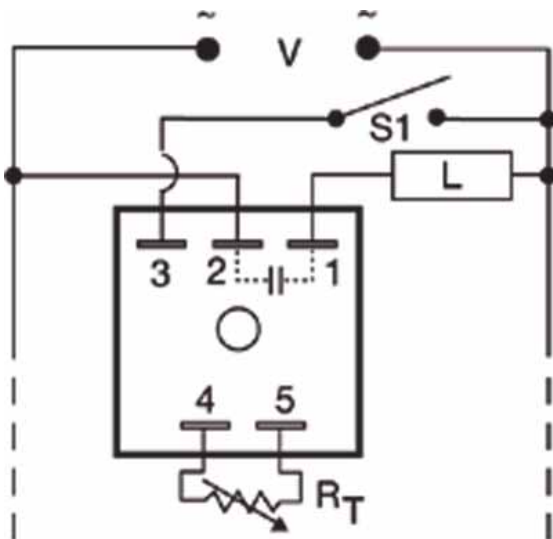




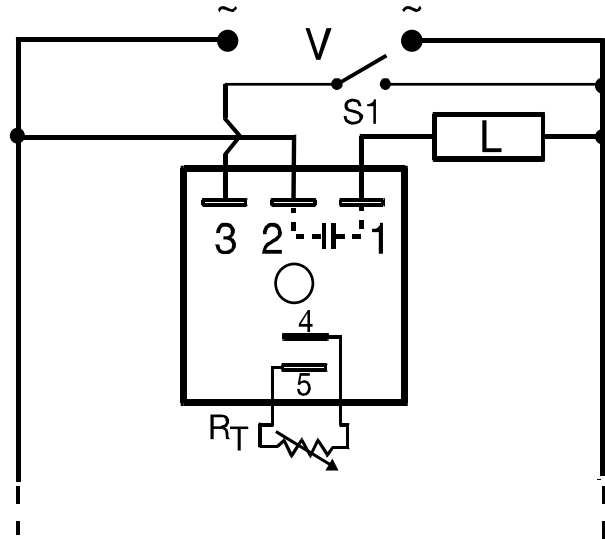
SSAC Product Line Conversion Notification February 25, 2005
THD3 Series Part Numbers

Important Differences Between Product Designs

Specification	Pre 2005 Design	2005 Generation II Design
Time Delay		
RT Values (for external adjustment)	0-5 MΩ.	0-100 KΩ. (see notes)
Linearity:	≤+/-2% 10% to 100% of range	Linearity not specified.
Output		
Off State Leakage	8.6mA@230VAC, 4.5mA@120VAC, 0.9mA@24VAC	≅ 5 mA at 230 VAC
Mechanical		
RT Terminals	Onboard adjust requires VTP Plug-on Modules	Terminals are oriented differently. Can be ordered as onboard adjust (see notes)
Connection	Terminals 1,3 line input. Terminal 2 output.	Terminals 2, 3 are input; T1 is output



Pre 2005 Design



2005 Generation II Design

Legend

- V = Input voltage
- L = Time Delayed Load
- S1 = Optional Low Current Initiate switch
- RT = External Adjustment Potentiometer
- Dashed lines are internal connections

- Note: 1.) VTP plug-on adjustment modules cannot be used with the 2005 Generation Design. An onboard adjustment option is available for the Generation II design.
- 2.) The RT Value cannot exceed 100 k ohms. If the RT exceeds 200k ohms erratic timing may occur. This is normal and not an indication of a defective unit.