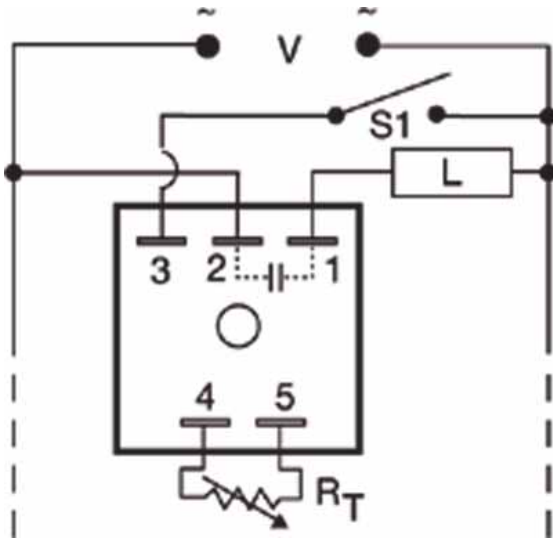




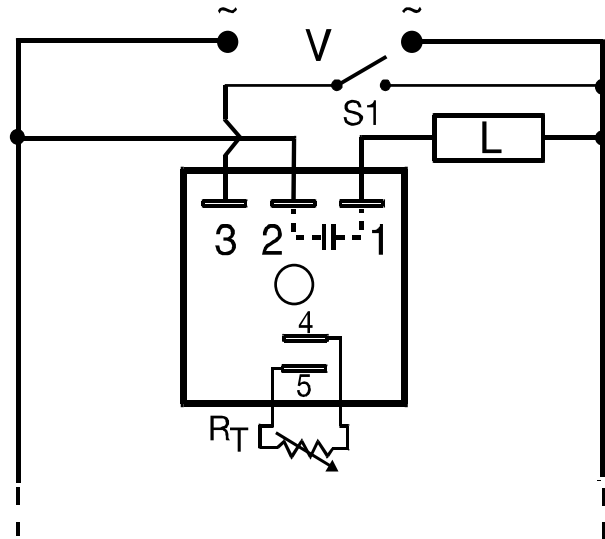
SSAC Product Line Conversion Notification February 25, 2005
THD2 Series Part Numbers

Important Differences Between Product Designs

Specification	Pre 2005 Design	2005 Generation II Design
Time Delay		
RT Values (for external adjustment)	0-5 MΩ.	0-100 KΩ. (see notes)
Mechanical		
RT Terminals	Onboard adjust requires VTP Plug-on Module	Terminals are oriented differently. Can be ordered as onboard adjust (see notes)
Connections	Terminals 1,3 line input. Terminal 2 output.	Terminals 2, 3 are input; T1 is output
Output		
Off State Leakage	8.6mA@230VAC, 4.5mA@120VAC, 0.9mA@24VAC	≅ 5mA @ 230VAC



Pre 2005 Design



2005 Generation II Design

Legend

V = Input voltage

L = Time Delayed Load

S1 = Optional Low Current Initiate switch

RT = External Adjustment Potentiometer

Dashed lines are internal connections

Note: 1.) VTP plug-on adjustment modules cannot be used with the 2005 Generation Design. An onboard adjustment option is available for the Generation II design.

2.) The RT Value cannot exceed 100 k ohms. If the RT exceeds 200k ohms erratic timing may occur. This is normal and not an indication of a defective unit.