

Dedicated
timers

Interval TDUI Digi-Set Timing Module



- Switch Selectable Time Setting
- 0.1 s ... 102.3 m in 3 ranges
- +/-0.5% Repeat Accuracy
- +/-2% Setting Accuracy
- 1 A Solid State Output
- Encapsulated
- Wide Voltage Ranges

Approvals:

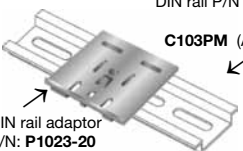
Accessories



Female quick connect
P/Ns:
P1015-13 (AWG 10/12)
P1015-64 (AWG 14/16)
P1015-14 (AWG 18/22)



Quick connect to
screw adaptor
P/N: **P1015-18**



DIN rail P/N's:
C103PM (Al)

See accessory pages for specifications.

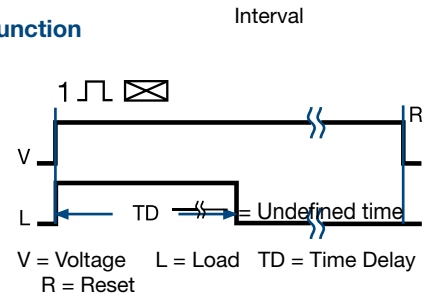
Description

The TDUI Series combines digital timing circuitry with universal voltage operation. Voltages of 24 to 240 V AC and 12 to 24 V DC are available in three ranges. The TDUI Series offers DIP switch selectable time delays ranging from 0.1 seconds to 102.3 minutes in three ranges. Its 1 A rated output, ability to operate on multiple voltages, and wide range of switch selectable time delays make the TDUI Series an excellent choice for process control systems and OEM equipment.

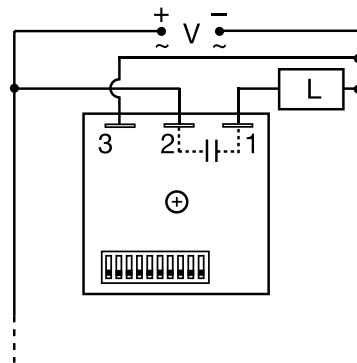
Operation

Upon application of input voltage, the time delay begins. The output energizes during the time delay. At the end of the time delay, the output de-energizes and remains de-energized until input voltage is removed. **Reset:** Removing input voltage resets the time delay and the output.

Function



Connection



Dashed lines are internal connections.

Available Models-

TDUI3000A
TDUIL3002A

TDUIH3001A

TDUIH3002A

Don't see what you need? Call us for a minimum quantity and price quote!

Ordering Table

Input Voltage Range	Time Range	Part Number
24 ... 120 V AC	0.1 ... 102.3 s	TDUIL3000A
100 ... 240 V AC	0.1 ... 102.3 s	TDUIL3001A
12 ... 24 V DC	0.1 ... 102.3 s	TDUIL3002A
24 ... 120 V AC	1 ... 102.3 s	TDUI3000A
100 ... 240 V AC	1 ... 102.3 s	TDUI3001A
12 ... 24 V DC	1 ... 102.3 s	TDUI3002A
24 ... 120 V AC	0.1 ... 102.3 m	TDUIH3000A
100 ... 240 V AC	0.1 ... 102.3 m	TDUIH3001A
12 ... 24 V DC	0.1 ... 102.3 m	TDUIH3002A

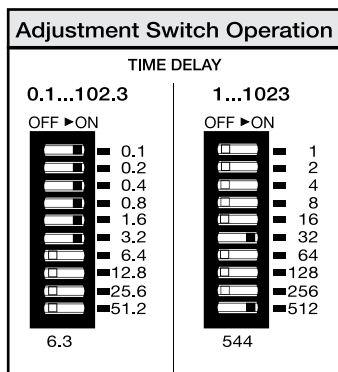
Interval TDUI Digi-Set Timing Module

Dedicated
timers

Technical Data

Time Delay Range* Repeat Accuracy Setting Accuracy Reset Time Time Delay vs. Temperature & Voltage	0.1 ... 102.3 s in 0.1 s increments 1 ... 1023 s in 1 s increments 0.1 ... 102.3 m in 0.1 m increments +/-0.5% or 20 ms, whichever is greater ≤ +/-2% or 20 ms, whichever is greater ≤ 150 ms ≤ +/-5%	*For CE approved applications, power must be removed from the unit when a switch position is changed.
Input Voltage Line Frequency Power Consumption DC Ripple	24 ... 240 V AC, 12 ... 24 V DC +/-20% 50 ... 60 Hz AC ≤ 2 VA; DC ≤ 1 W ≤ 10%	
Output Type Form Rating Voltage Drop OFF State Leakage Current	Solid state Normally Open, closed during timing 1 A steady state, 10 A inrush at 60°C ≅ 2.5 V at 1 A; DC ≅ 1 V at 1 A AC ≅ 5 mA at 230 V AC; DC ≅ 1 mA	
Protection Circuitry Dielectric Breakdown Insulation Resistance Polarity	Encapsulated ≥ 2000 V RMS terminals to mounting surface ≥ 100 MΩ DC units are reverse polarity protected	
Mechanical Mounting Package Termination	Surface mount with one #10 (M5 x 0.8) screw 2 x 2 x 1.21 in (50.8 x 50.8 x 30.7 mm) 0.25 in. (6.35 mm) male quick connect terminals	
Environmental Operating Temperature Storage Temperature Humidity Weight	-40°C ... +60°C -40°C ... +85°C 95% relative, non-condensing ≅ 2.4 oz (68 g)	

5



Add the value of switches in the ON position for the total time delay.

