

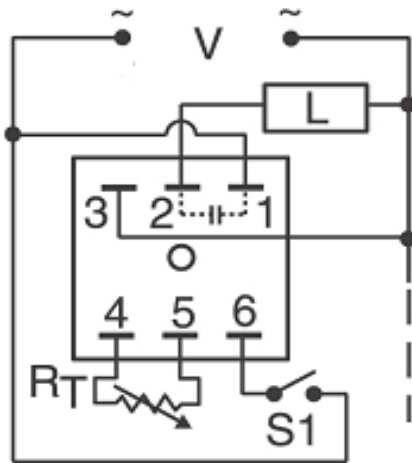


SSAC Product Line Conversion Notification February 25, 2005

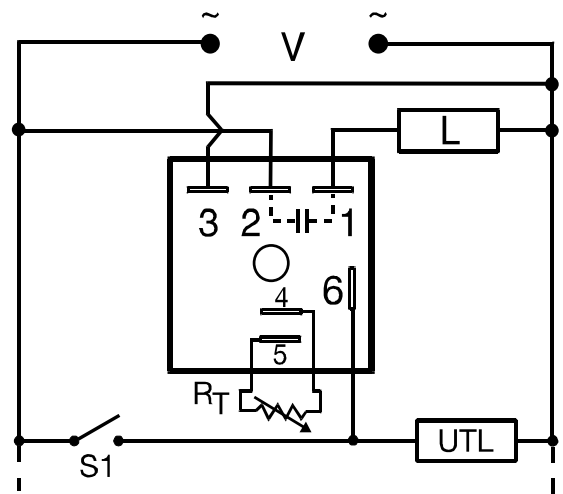
THDB Series Part Numbers

Important Differences Between Product Designs

Specification	Pre 2005 Design	2005 Generation II Design
Time Delay		
RT Values (for external adjustment)	0-5 MΩ.	0-100 KΩ. (see notes)
Initiate time	50ms	20 ms
Output		
Off State Leakage	8.6mA@230VAC, 4.5mA@120VAC, 0.9mA@24VAC	≅ 5 mA at 230 VAC
Mechanical		
RT Terminals	Onboard adjust requires VTP Plug-on Module	Terminals are oriented differently. Can be ordered as onboard adjust (see notes)
Connection	Terminals 1,3 line input. Terminal 2 output.	Terminals 2, 3 are input; T1 is output
Package	2 x 2 x 1.30 in. (50.8 x 50.8 x 33.0 mm)	2 x 2 x 1.51 in. (50.8 x 50.8 x 38.4mm)
Environmental		
Weight	≅ 2.9 oz (82 g)	≅ 3.9 oz (111 g)



Pre 2005 Design



2005 Generation II Design

Legend

- V = Input voltage
- L = Time Delayed Load
- S1 = Initiate switch
- UTL = Optional Untimed Load
- RT = External Adjustment Potentiometer
- Dashed lines are internal connections

- Note: 1.) VTP plug-on adjustment modules cannot be used with the 2005 Generation Design. An onboard adjustment option is available for the Generation II design.
- 2.) The RT Value cannot exceed 100 k ohms. If the RT exceeds 200k ohms erratic timing may occur. This is normal and not an indication of a defective unit.