

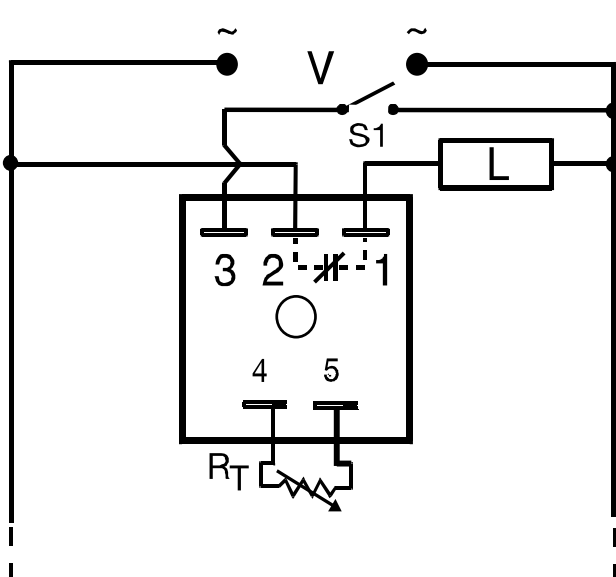


## SSAC Product Line Conversion Notification February 18, 2005

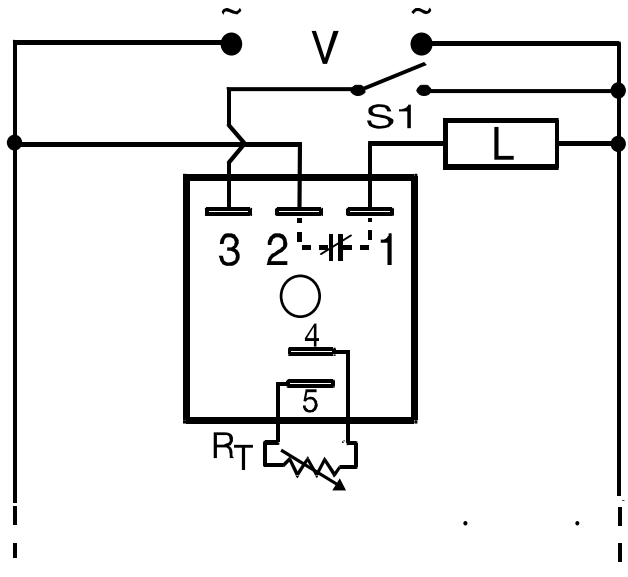
### THD4 Series Part Numbers

### Important Differences Between Product Designs

Specification	Pre 2005 Design	2005 Generation II Design
<b>Time Delay</b>		
RT Values (for external adjustment)	0-5 MΩ.	0-100 KΩ. (see notes)
Linearity:	≤+/-2% 10% to 100% of range	Linearity not specified.
<b>Output</b>		
Leakage	8.6mA@230VAC, 4.5mA@120VAC, 0.9mA@24VAC	≅ 5mA @ 230VAC
<b>Mechanical</b>		
RT Terminals	Onboard adjustment requires the use of a VTP Plug-on Module.	RT terminals are oriented differently. Can be ordered as onboard adjustable. (see notes)



Pre 2005 Design



2005 Generation II Design

**Legend**

- V = Input voltage
- L = Time delayed load
- S1 = Initiate switch
- RT = External Adjustment Potentiometer
- Dashed lines are internal connections

- Note: 1.) VTP plug-on adjustment modules cannot be used with the 2005 Generation Design. An onboard adjustment option is available for the Generation II design.
- 2.) The RT Value cannot exceed 100 k ohms. If the RT exceeds 200k ohms erratic timing may occur. This is normal and not an indication of a defective unit.