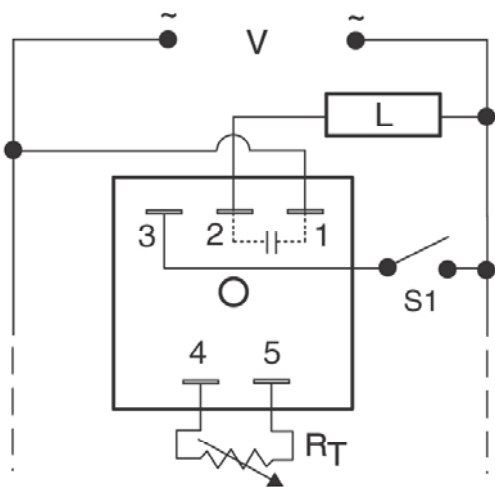




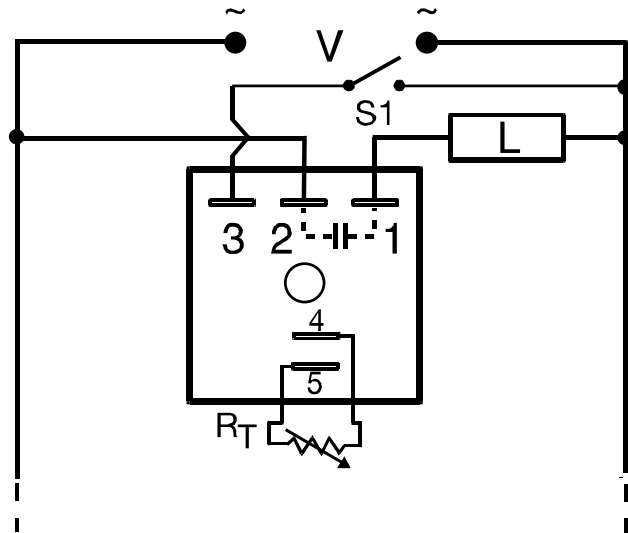
**SSAC Product Line Conversion Notification February 25, 2005**  
TH2 Series Part Numbers

**Important Differences Between Product Designs**

Specifications	Pre 2005 Design	2005 Generation II Design
<b>Time Delay</b>		
Tolerance (Factory Calibration)	≤ +/-10 %	≤ +/-5%
RT Values (for external adjustment)	0-3 MΩ (ranges 1, 2 & 3). 0-5 MΩ (range 4).	0-100 KΩ (see notes)
Recycle Time	≤ 100 ms	≤ 150 ms
<b>Output</b>		
Leakage	8.6mA@230VAC, 4.5mA@120VAC, 0.9mA@24VAC	≅ 5 mA at 230 VAC
<b>Mechanical</b>		
RT Terminals	Onboard adjustment requires the use of a VTP Plug-on Module.	RT and initiate terminals are oriented differently. Can be ordered as onboard adjust (see notes)
Connections	Terminals 1,3 line input. Terminal 2 output.	Terminals 3, 2 line input, T1 is output



Pre 2005 Design



2005 Generation II Design

**Legend**

- V = Input Voltage
- L = Timed delayed load
- S1 = Optional Low Current Initiate switch
- RT = External Adjustment Potentiometer
- Dashed lines are internal connections

- Note: 1.) VTP plug-on adjustment modules cannot be used with the 2005 Generation Design. An onboard adjustment option is available for the Generation II design.  
 2.) The RT Value cannot exceed 100 k ohms. If the RT exceeds 200k ohms erratic timing may occur. This is normal and not an indication of a defective unit.