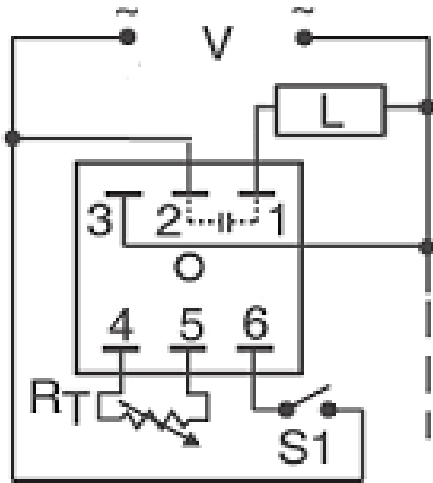




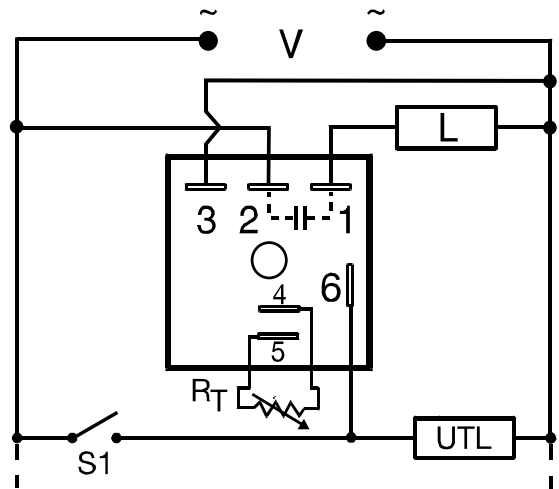
SSAC Product Line Conversion Notification February 25, 2005
 NHPS Series Part Numbers

Important Differences Between Product Designs

Specification	Pre 2005 Design	2005 Generation II Design
Time Delay		
Repeat Accuracy	+/-1 % or 20ms	± 0.5 or 20 ms
Input		
Voltage	24, 120, or 230 V AC	24 to 240 V AC
Output		
Leakage	8.6mA@230VAC, 4.5mA@120VAC, 0.9mA@24VAC	≅ 5mA at 230VAC



Pre 2005 Design



2005 Generation II Design

Legend

- V = Input voltage
- L = Time delayed load
- S1 = Initiate switch (Not required for all functions)
- UTL = Optional Untimed Load
- RT = External Adjustment Potentiometer
- Dashed lines are internal connections