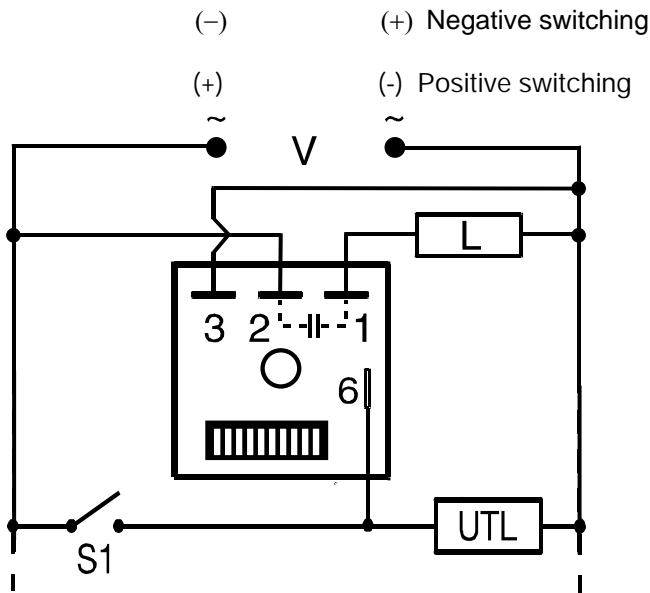




**SSAC Product Line Conversion Notification September 15, 2005**  
KSPU (Positive Switching DC Voltages)

Important Differences Between Product Designs		
Specification	Pre 2005 Design	2005 Generation II Design
<b>Time Delay</b>		
Recycle Time	<= 250 ms	<= 150 ms
Setting Accuracy	<= +/- 2%	<= +/-1% or 20ms whichever is greater
Initiate Time	40 ms	<= 20 ms
Max. Initiate (Count) Rate	<= 10 per second	<= 25 per second
<b>Input</b>		
Voltage (AC)	24, 120, or 120/230VAC	24 to 240 VAC
Voltage (DC)	12, 24, or 120 VDC positive switching	12 to 120 VDC positive or negative switching

The connection diagram is the same for both designs:



- Legend:  
V = Input voltage  
L = Time delayed load  
UTL = Optional untimed load  
S1 = Initiate switch (not required for some functions)  
Dashed lines are internal connections