

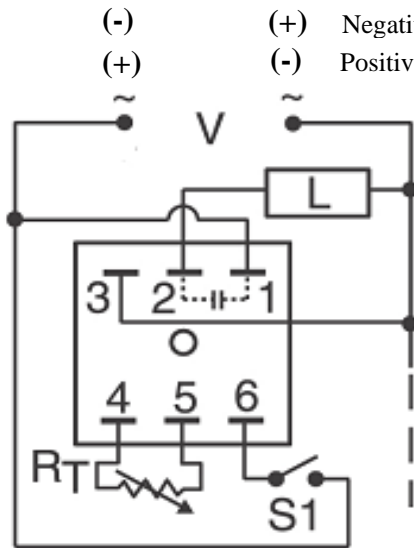


SSAC Product Line Conversion Notification March 18, 2005

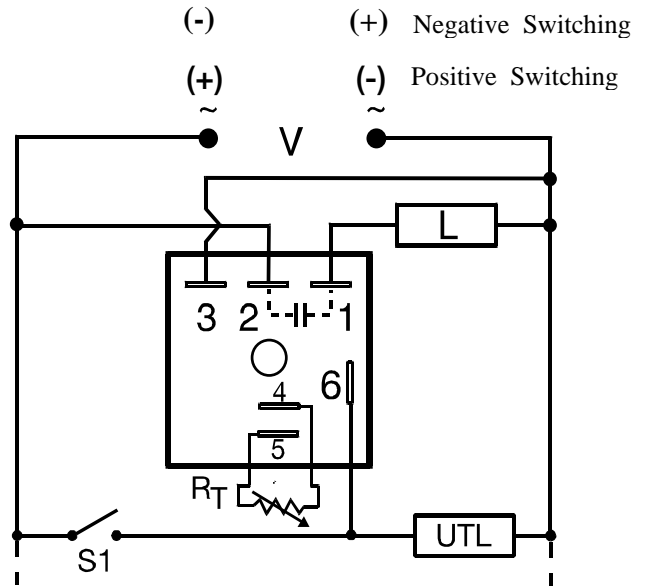
KSDB Series Part Numbers

Important Differences Between Product Designs

Specification	Pre 2005 Design	2005 Generation II Design
Time Delay		
Range	0.1 s ... 500 m in 6 adjustable ranges or fixed	0.1 s ... 1000 m in 6 adjustable ranges or fixed
RT Values (for external adjustment)	0-5 MΩ.	0-100 KΩ. (see notes)
Output		
Maximum Load Current (except) 120 V DC	1 A steady state, 10 A inrush at 60°C 0.5 A steady state, 5 A inrush	1A Steady State, 10 A Inrush at 60°C All Voltages
Voltage Drop	AC ≅ 2.5 V at 1 A, DC ≅ 1.7 V at rated current	AC ≅ 2.5 V at 1 A, DC ≅ 1V at 1 A
Mechanical		
Mechanical	Onboard adjustment requires the use of a VTP Plug-on Module.	RT terminals are oriented differently. Initiate terminal is in a different location. Can be ordered as onboard adjustable. (see notes)
Connection	Terminals 1,3 line input. Terminal 2 output.	Terminals 3, 2 line input, Terminal T1 is output



Pre 2005 Design



2005 Generation II Design

Legend

- V = Input voltage
- L = Time delayed load
- S1 = Initiate switch
- UTL = Optional Untimed Load
- RT = External Adjustment Potentiometer
- Dashed lines are internal connections

- Note: 1.) VTP plug-on adjustment modules cannot be used with the 2005 Generation Design. An onboard adjustment option is available for the Generation II design.
- 2.) The RT Value cannot exceed 100 k ohms. If the RT exceeds 200k ohms erratic timing may occur. This is normal and not an indication of a defective unit.