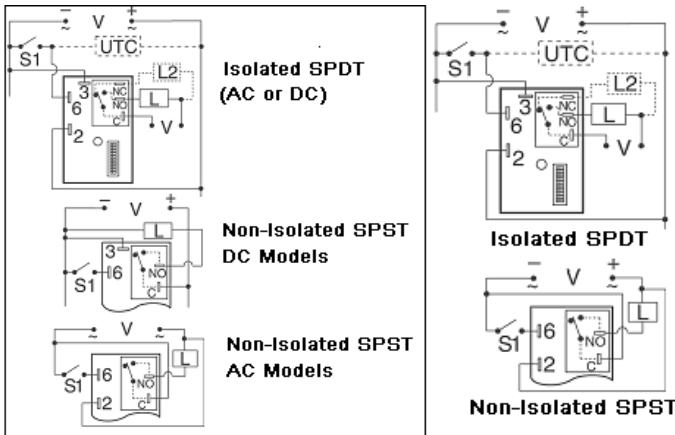


SSAC Product Line Conversion Notification March 11, 2005

HRV Series Part Numbers

Important Differences Between Product Designs		
Specifications	Pre 2005 Design	2005 Generation II Design
Count Functions		
Minimum Switch Closure Time	≥ 25 ms	≥ 20 ms
Minimum Switch Open (between closures) Time	≥ 30 ms	≥ 20 ms
Time Delay		
Recycle Time	≤ 500ms	Reset Time: ≤ 150 ms
Output		
Ratings: Definite Purpose 125 V AC 17 FLA, 96 LRA*20 FLA, 60 LRA* Definite Purpose 240 V AC 30 FLA, 80 LRA*20 FLA, 60 LRA* * SPDT - N.C. Ratings: 10 A at 28 V DC (Resistive) 10 FLA, 30 LRA at 125 V AC/240 V AC (Definite Purpose)		Definite Purpose Ratings removed
Mechanical		
Mechanical		The Isolated SPST (not shown) will follow the terminal layout of the Isolated SPDT except the N.C. contact will be omitted.
Operational	Terminal layout and connections for Non-Isolated SPST units are different for AC and DC voltages.	Terminal layout for Non-Isolated SPST AC and DC voltages will be the same.



- Legend**
- V = Input Voltage
 - L = Timed delayed load
 - UTL = Optional untimed load
 - UTC = Optional untimed counter
 - S1 = Initiate switch
 - Dashed lines are internal connections or optional connections