

# Interval TS2, TS6 Versa-Timer Timing Module



- 12 or 24 V DC; 24,120, or 230 V AC Input Voltages
- Fixed or Adjustable Delays From 0.05 s ... 10 m in 8 Ranges
- Repeat Accuracy +/-2%
- Load Currents to 1 A, 10 A Inrush
- Totally Solid State and Encapsulated

Approvals: (TS2 only)

### Accessories

**B** External adjust potentiometer  
P/Ns:  
P1004-XX (fig A)  
P1004-XX-X (fig B)

Mounting bracket  
P/N: P1023-6

Female quick connect  
P/N:  
P1015-64 (AWG 14/16)

Quick connect to screw adaptor  
P/N: P1015-18

Versa-knob  
P/N: P0700-7

Plug-on adjustment module  
P/N:  
VTP(X)(X)

DIN rail P/Ns:

C103PM (Al)

DIN rail adaptor  
P/N: P1023-20

See accessory pages for specifications.

### Description

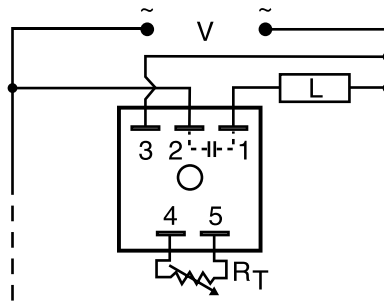
The TS2 is designed for AC voltages. The TS6 Series is designed for DC voltages at 12 or 24 V DC. These series are capable of controlling load currents of up to 1 A steady state, 10 A inrush. Encapsulated circuitry and the reliability of a +/-2% repeat accuracy make the TS2 and TS6 ideal for cost sensitive applications.

### Operation

Upon application of input voltage, the time delay begins. The output energizes during the time delay. At the end of the time delay, the output de-energizes and remains de-energized until input voltage is removed.

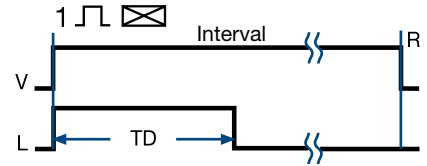
**Reset:** Removing input voltage resets the time delay and the output.

### Connection

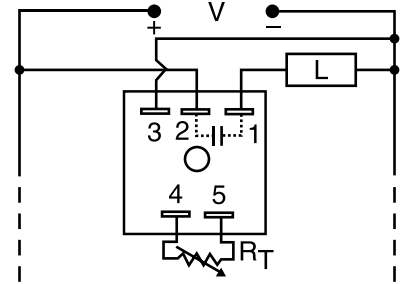


$R_T$  is used when external adjustment is ordered.

### Function



V = Voltage L = Load R = Reset  
TD = Time Delay = Undefined time



$R_T$  is used when external adjustment is ordered.  
**Note:** TS6 is not reverse polarity protected.

### Available Models-

TS22120	TS2213	TS22160
TS2222	TS2223	TS2224
TS2411.5	TS24110	TS241180
TS2412	TS2413	TS24130
TS2415	TS241600	•TS2421
•TS2422	TS2423	•TS2424
TS2611.5	TS26190	TS61110P
TS6113P	TS6114P	TS6116P
TS6122P	•TS6123P	TS6311P
TS6321P	TS6323P	

Don't see what you need? Call us for a minimum quantity and price quote!

### Ordering Table

<b>TS2</b>	<b>X</b>	<b>X</b>	<b>X</b>	
Series	Input	Adjustment	Time Delay*	
	-2 - 24 V AC	-1 - Fixed	-1 - 0.05 ... 3 s	* If Fixed Delay is selected, insert delay [0.05 ... 600] in seconds.
	-4 - 120 V AC	-2 - External Adjust	-2 - 0.5 ... 60 s	
	-6 - 230 V AC		-3 - 2 ... 180 s	
			-4 - 5 ... 600 s	

Example P/N: TS2421 Fixed - TS24130

<b>TS6</b>	<b>X</b>	<b>X</b>	<b>X</b>	<b>X</b>	
Series	Input	Adjustment	Time Delay*	Switching Mode	
	-1 - 12 V DC	-1 - Fixed	-1 - 0.05 ... 1 s	P - Positive	*If Fixed Delay is selected, insert delay [0.05 ... 120] or [0.05 ... 600] in secs.
	-3 - 24 V DC	-2 - External Adjust	-2 - 0.5 ... 20 s		
			-3 - 2 ... 60 s		
			-4 - 5 ... 120 s		

Example P/N: TS6123P Fixed - TS6110.5P

# Interval TS2, TS6 Versa-Timer Timing Module

Dedicated  
timers

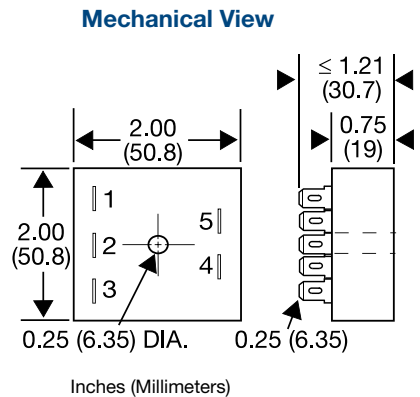
## Technical Data

<b>Time Delay</b>		
Type		Analog circuitry
Range	12 V DC Other Voltages	0.05 ... 120 s in 4 adjustable ranges or fixed (1 MΩ max. R <sub>T</sub> ) 0.05 ... 600 s in 4 adjustable ranges or fixed
Repeat Accuracy		+/-2% or 20 ms, whichever is greater
Tolerance (Factory Calibration)		≤ +/-10%
Time Delay vs. Temperature & Voltage		≤ +/-10%
Reset Time		≤ 150 ms
<b>Input</b>		
Voltage		12 or 24 V DC; 24, 120, or 230 V AC
Tolerance		+/-15%
DC Ripple		10%
Power Consumption		DC ≤ 1 W; AC ≤ 2 VA
<b>Output</b>		
Type		Solid state
Form		Normally Open, closed during timing
Maximum Load Current		1 A steady state, 10 A inrush at 60°C
Voltage Drop		DC ≅ 1.0 V at 1 A; AC ≅ 2.5 V at 1 A
<b>Protection</b>		
Circuitry		Encapsulated
Polarity		TS6 is not reverse polarity protected
Dielectric Breakdown		≥ 2000 V RMS terminals to mounting surface
Insulation Resistance		≥ 100 MΩ
<b>Mechanical</b>		
Mounting		Surface mount with one #10 (M5 x 0.8) screw
Package		2 x 2 x 1.21 in. (50.8 x 50.8 x 30.7 mm)
Termination		0.25 in. (6.35 mm) male quick connect terminals
<b>Environmental</b>		
Operating/Storage Temperature		-40°C ... +75°C / -40°C ... +85°C
Humidity		95% relative, non-condensing
Weight		≅ 2.4 oz (68 g)

5

R <sub>T</sub> Selection Chart				
Desired Time Delay*				R <sub>T</sub>
Seconds				
1	2	3	4	Megohm
0.05	0.5	2	5	0.0
0.5	10	30	60	0.5
1.0	20	60	120	1.0
▼ 24VDC or AC ONLY† ▼				
1.5	30	90	180	1.5
2.0	40	120	240	2.0
2.5	50	150	300	2.5
3.0	60	180	360	3.0
			420	3.5
			480	4.0
			540	4.5
			600	5.0

\* When selecting an external R<sub>T</sub> add at least 20% for tolerance of unit and the R<sub>T</sub>.  
† 1 Megohm max for 12 VDC Units



TS6 12 VDC			
Time Delay	VTP P/N	Fig. A P/N	Fig. B P/N
1 - 0.05 ... 1 s	VTP2A	P1004-16	P1004-16-X
2 - 0.5 ... 20 s	VTP2E	P1004-16	P1004-16-X
3 - 2 ... 60 s	VTP2F	P1004-16	P1004-16-X
4 - 5 ... 120 s	VTP2H	P1004-16	P1004-16-X

TS2 & TS6 All Other Voltages			
Time Delay	VTP P/N	Fig. A P/N	Fig. B P/N
1 - 0.05 ... 3 s	VTP4B	P1004-12	P1004-12-X
2 - 0.5 ... 60 s	VTP4F	P1004-12	P1004-12-X
3 - 2 ... 180 s	VTP4J	P1004-12	P1004-12-X
4 - 5 ... 600 s	VTP5N	P1004-13	P1004-13-X

TS262B01 09-10