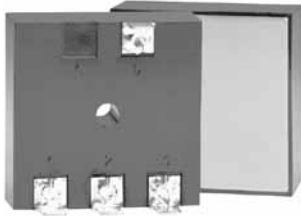


Alternating Flasher

AF Series

Solid State Flasher



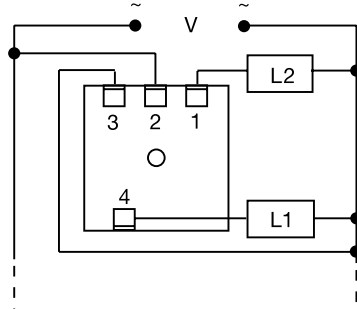
10 YEAR WARRANTY

- Alternately Flashes Two High Current Loads
- High Surge Capacity -- Up to 200 A
- Small Size -- 2 x 2 x 1.30 in. (50.8 x 50.8 x 33 mm)
- Totally Solid State & Encapsulated

Description

The AF Series offers a high inrush capacity of up to 200 A. These devices exceed mechanical type relays in both performance and lifespan. The AF Series is constructed with no moving parts to arc, wear, and eventually fail; 100 million operations are typical. Circuitry is encapsulated to provide protection against vibration and moisture, making the AF Series ideal for outdoor applications.

Connection

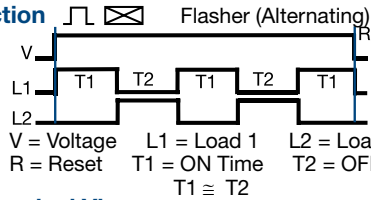


Operation

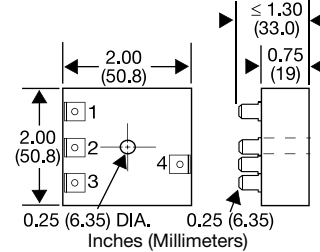
Upon application of input voltage T1 begins, Load 1 is ON and Load 2 is OFF. At the end of T1, T2 begins and Load 2 is now ON and Load 1 is OFF. At the end of T2, T1 repeats and this sequence continues until input voltage is removed. The duration of T1 and T2 is approximately equal.

Reset: Removing input voltage resets the flasher.

Function



Mechanical View



Available Models-

- AF213
- AF223
- AF232
- AF233
- AF223

Don't see what you need? Call us for a minimum quantity and price quote!

Ordering Table

AF-	X	X	X
	Input	Output Rating	Flash Rate (flashes per min.)
-1	24 V AC	6 A	10
-2	120 V AC	10 A	30
-3	230 V AC	20 A	60
-4			90
-5			120
-6			140
-9			Custom Flash Rate

Example P/N: AF224 Custom Flash Rate - AF229-45

Technical Data

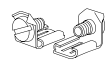
Operation	Alternating solid state flasher rated for continuous duty
Flash Rate	Factory fixed at 10, 30, 60, 90, 120, or 140 flashes per min. +/-10%.
Custom Flash Rate Ratio	Specify as any number between 10 & 140, inclusive ≅ 50%
Input	
Input Voltage, Frequency	24, 120, or 230 V AC +/-15%, 50 ... 60 Hz
Output	
Load Type	Incandescent or resistive
Maximum Load Rating	6, 10, & 20 A steady state
Inrush	10 times steady state current
Mechanical	
Mounting *	Surface mount with one #10 (M5 x 0.8) screw
Package	2 x 2 x 1.30 in. (50.8 x 50.8 x 33 mm)
Protection	
Circuitry	Encapsulated
Environmental	
Operating / Storage Temperature	-20°C ... +60°C / -40°C ... +85°C
Humidity	95% relative, non-condensing
Weight	≅ 2.9 oz (82 g)

*Must be bolted to metal surface using the included heat sink compound. The maximum mounting surface temperature is 90°C.

Accessories



Female quick connect P/Ns:
P1015-13 (AWG 10/12)
P1015-64 (AWG 14/16)
P1015-14 (AWG 18/22)



Quick connect to screw adaptor P/N: P1015-18

See accessory pages for specifications.